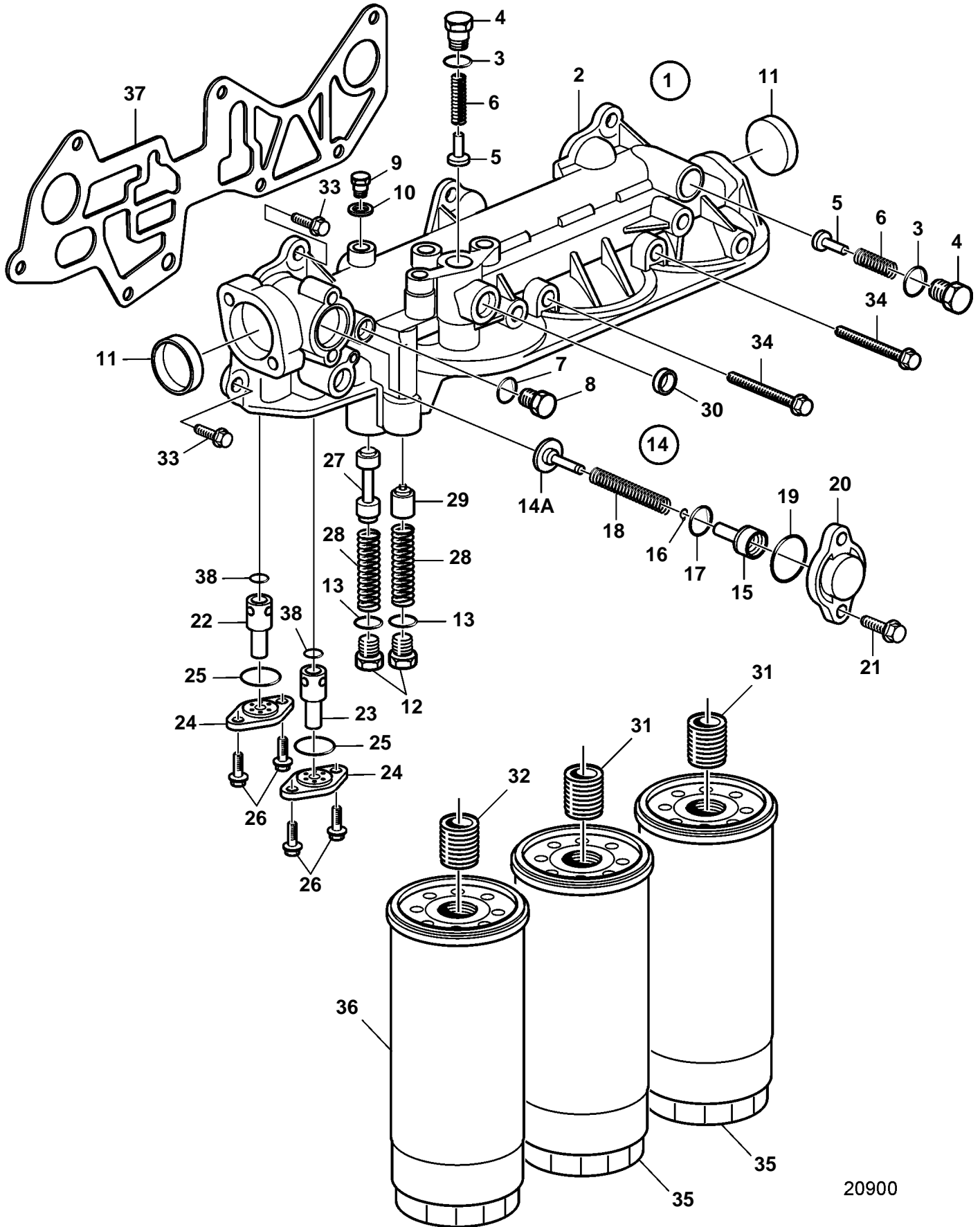


TAD1641VE, TAD1642VE, TAD1640GE, TAD1641GE, TAD1642GE, D16C-A MH, D16C-A MG



TAD1641VE, TAD1642VE, TAD1640GE, TAD1641GE, TAD1642GE, D16C-A MH, D16C-A MG

REF	PART NO.	QTY	DESCRIPTION
1	8131100	1	Oil filter housing
2		1	· Oil filter housing
3	947627	2	· Gasket
4	471598	2	· Plug
5	471085	2	· Valve
6	466653	2	· Spring
7	11998	2	· Gasket
8	960632	2	· Plug
9	960628	1	· Plug
10	947281	1	· Gasket
11	967962	2	· Plug
12	20381215	2	· Plug
13	947629	2	· Gasket
14	3169687	1	· Delivery valve
14A		1	· · Valve
15		1	· · Valve guide
16	955964	1	· · Snap ring
17	976039	1	· · O-ring
18		1	· · Spring
19	949659	1	· O-ring
20	3184806	1	· Cover
21	947542	2	· Screw
22	3826265	1	· Reducing valve
23	471706	1	· Reducing valve
24	471648	2	· Cover
25	949659	2	· O-ring
26	946544	4	· Flange screw
27	20440781	1	· Piston
28	20464676	2	· Spring
29	20440779	1	· By-pass valve
30	946778	1	· Cap plug
31	466623	2	· Nipple
32	469904	1	· Nipple
33	945444	5	Flange screw
34	968999	2	Screw
35	478736	2	Oil filter
36	477556	1	Oil filter
37	20823322	1	Gasket
38	469846	2	Sealing ring